

SR-4

DIRECT DRIVE MECHANICAL COUNTER

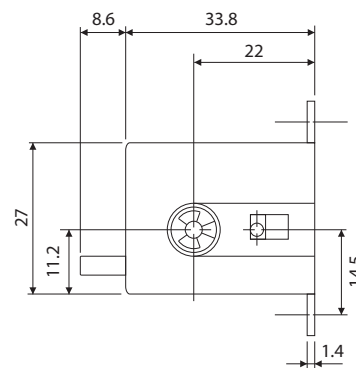
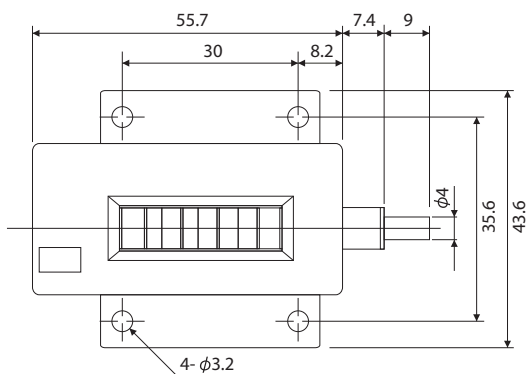


- DIRECT DRIVE TYPE
(1 counts per 1/10 shaft revolution)
- 4 DIGITS DISPLAY
- PUSH BUTTON RESET
- MINIATURE SIZE

■ SPECIFICATIONS

Display	4 digits, 4.3 x 2.8mm (White on Black Background)
Input/Count Method	right side shaft rotation
Shaft Rotation	Top - Going (Clockwise)
Starting Torque	4mN.m
Count Speed	200 revolution/minute
Reset	Pushbutton
Weight	60 grams
Operating Temperature	-5°C - +40°C (Non-Freezing)
Operating Humidity	85%RH maximum (Non-Condensing)

■ DIMENSIONS



This catalog was last revised Feb. 26, 2019.
 *Subject to change without prior notice.
 All Rights Reserved, Copyright © 2019, LINE SEIKI CO., LTD.



LINE SEIKI CO., LTD.

Address : 37-7, Chuo-Cho, 2-Chome, Meguro-ku
 Tokyo 152-0001 JAPAN
 Contacts : Tel: +81-3-3716-5151 Fax: +81-3-3710-4552
 E-mail: webtrade@line.co.jp
 URL : <http://www.lineseiki.com>