

# TALLY COUNTERS H-102 P

## ■ Features of products

The history of our counters almost started from Mechanical Tally Counter H-102 Series.

Tally Counters H-102P have the same internal structure and mechanism with high reliability, but they are significantly lighter in weight thanks to their plastic housing.



H-102P  
Handy Type



H-102PM-5  
Desk Type  
(5 combined)



H-102PB  
Desk Type



H-102PM-6  
Desk Type  
(6 combined)

## ■ Carrying Case (Exclusive use for H-102PM-5)

You can bring out 4 sets of H-102PM-5 with ease and safety.  
Patented in Japan (No. 5923721)



Holds 4 sets of H-102PM-5



C-0102  
Exclusive use for H-102PM-5  
Carrying Case



Slide and fix H-102PM-5 at slits



Board part can be detached

## ■ About quality

ID number is given to each single product for traceability.



Laser engraving on side of all types

## Product Applications

- Ideal For Traffic Surveying ...
- Pedestrian Traffic Survey ...
- Attendance Check ...
- Passenger Check ...
- Religious Purposes ...
- Laboratory Purposes ...

## About laser engraving

We engrave our company logo on each product by laser engraving.  
For different engraving, please send your inquiry to us.



**H-102P SERIES**  
XXXXX-XXXXXX  
MADE IN THE PHILS.

## Model Selection / Specifications

Models	Digits	Case	Mounting	No. of Units	Weight
H-102P	4	ABS resin (Gray)	Hand	1	Approx. 32g
H-102PB			Desk		Approx. 42g
H-102PM-5			5	Approx. 220g	
H-102PM-6					6

**Ambient Temp. : Operating** -5°C - +40°C (Non-Freezing)

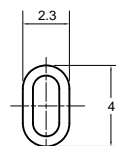
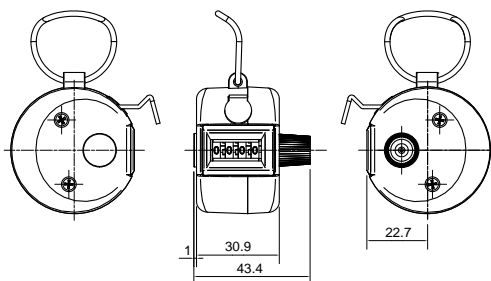
**Ambient Humid. : Operating** 85%RH maximum (Non-Condensing)

**Carrying Case (Exclusive use for H-102PM-5)**

Model	Dimensions (mm)
C-0102	370 x 220 x 88 (except Handle)

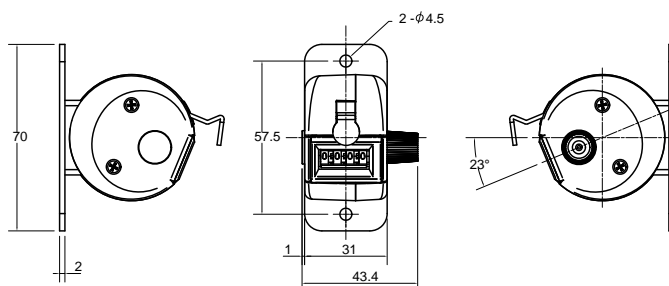
## Dimensions (mm)

H-102P



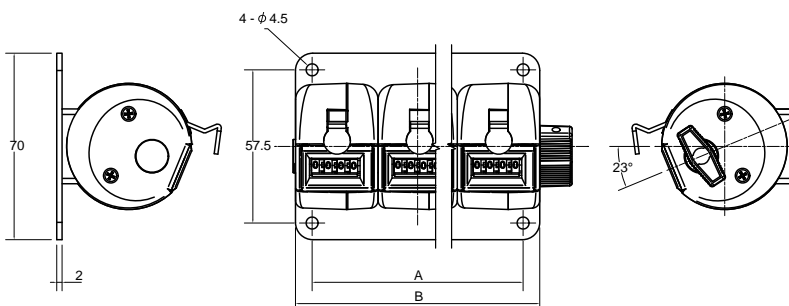
\* Common to all models

H-102PB



H-102PM-5  
(5 combined)

H-102PM-6  
(6 combined)



Models	A	B
H-102PM-5	142.5	155
H-102PM-6	173.5	186

This catalog was last revised August.25, 2017.  
\*Subject to change without prior notice.  
All Rights Reserved, Copyright © 2017, LINE SEIKI CO., LTD.



**LINE SEIKI CO., LTD.**

Address : 37-7, Chuo-Cho, 2-Chome, Meguro-ku  
Tokyo 152-0001 JAPAN

Contacts : Tel: +81-3-3716-5151 Fax: +81-3-3710-4552  
E-mail: webtrade@line.co.jp

URL : http://lineseiki.com